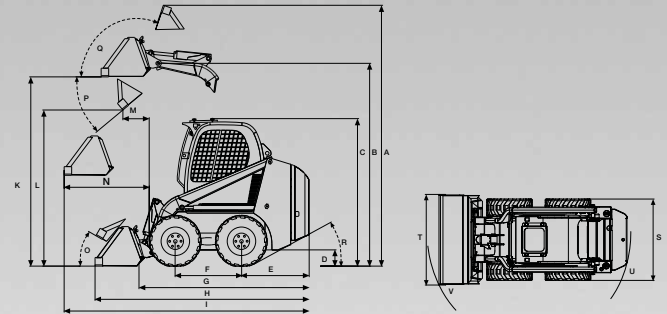




## More muscle in the 701

The 701 Skid Steer Loader is in a class of it's own, with ample power and, on the 701SP, "PowerFlow" - includes 3 additional hydraulic lines running at up to 115l/m. That's more power, and hydraulic flow, when and where you need it.

All this, plus the standard Quattrostatic® drive system, means simple, effortless operation.



### DIMENSIONAL DATA

	701s/701SP
A Max. height	3620 mm
B Height to bucket swivel-joint	2860 mm
C Cabin height	1947 mm
D Ground clearance	252 mm
E Tail projection (from rear axle)	1056 mm
F Wheelbase	890 mm
G Total length without attachments	2440 mm
H Total length with standard bucket	3060 mm
I Max. vehicle length	3517 mm
K Bucket height	2660 mm
L Max. dumping height	2325 mm
M Reach	516 mm
N Max. reach (with horizontal arm position)	1173 mm
O Tipping angle on the ground	29 °
P Tipping angle	35 °
Q Tipping angle	105 °
R Gradient	27 °
S Vehicle width (with standard tyres 10 x 16,5)	1475 mm
T Bucket width	1520 mm
U Turn radius – tail	1520 mm
V Turn radius – front	1771 mm

### OPERATIONAL DATA

	701s	701SP
Operational weight*	2434 kg	2484 kg
Working load	680 kg	680 kg
Tipping load	1360 kg	1360 kg
Bucket content levelled	0,29 m <sup>3</sup>	0,29 m <sup>3</sup>
Bucket content heaped	0,36 m <sup>3</sup>	0,36 m <sup>3</sup>
Engine Make/type	YANMAR 4TNV88	YANMAR 4TNV84 Turbo
Model	Water cooled, 4-cylinder diesel engine	
Net engine output	34 kW (46 hp)	39 kW (52 hp)
Capacity	2189 cm <sup>3</sup>	1998 cm <sup>3</sup>
Operating speed	2800 min <sup>-1</sup>	2800 min <sup>-1</sup>
Battery	12 V, 88 Ah	12 V, 88 Ah
Diesel tank volumes	52 l	52 l
Hydraulic System Pumps	Gear pumps	Gear pumps
Work hydraulics operational pressure	210 bar	210 bar
Work hydraulics hydraulic output	62 l/min	62 l/min
Work hydraulics hydraulic output "Powerflow"	-	115 l/min
Hydraulic oil cooler	Combi-cooler, standard feature	
Hydraulic tank content	55 l	55 l
Travel Drive Pumps	Axial piston-variable displacement pump	
Travel speeds	12 km/h	12 km/h
Standard tyres	10 x 16,5	10 x 16,5
Drive concept	Quattrostatic® 4 separate travel motors/gear units	
Brake	Hydraulic parking brake	

\* With standard bucket, full tanks and driver (80kg). Includes optional factory-fitted counterweights.