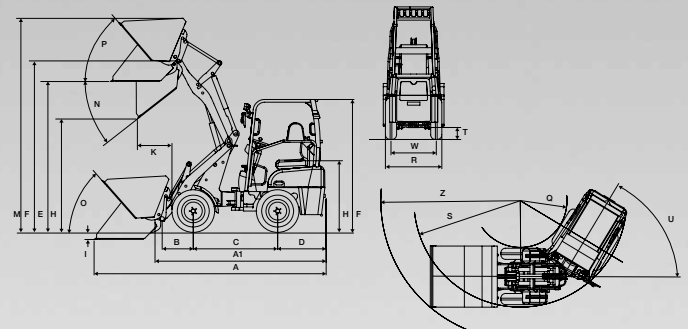


# WL16

## WL16 BeeKeeper

### The small powerhouse

Wacker Neuson's WL16 Wheel Loader packs great power into a small and highly maneuverable package. Equally adept at moving construction materials or pallets on the building site, thanks to the articulated oscillation joint, the WL16 can effortlessly master winding, narrow access ways, small spaces or storages as well as construction sites with tight work radius. The BeeKeeper variant has been developed specially to meet the needs of apiarists. A unique folding pallet fork assembly makes transport simple, and the hydrostatic 4 wheel drive allows the WL16 to easily traverse rough ground.



#### TECHNICAL DATA

	WL16	WL16 BeeKeeper
A Overall length with standard bucket	3706 mm	-
A <sup>1</sup> Overall length without bucket	2733 mm	2500 mm
B Axle centre to bucket pivot point	496 mm	508 mm
C Wheel base	1345 mm	1468 mm
D Rear overhang	779 mm	975 mm
E* Overhead loading height	2405 mm	2424 mm
F* Max. height of bucket pivot point	2734 mm	2693 mm
G* Height of seat	1142 mm	1225 mm
H* Max. dumping height	1807 mm	2011 mm
I* Scraping depth	113 mm	94 mm
K* Reach at H	550 mm	-
L* Height to driver's canopy	2124 mm	2124 mm
M* Total working height	3415 mm	3274 mm
N Max. dumping angle at max. lift height	38 °	38 °
O Reverse roll angle on ground	49 °	48 °
P Reverse roll angle at max. lift height	49 °	50 °
Q* Inside turning radius	745 mm	1219 mm
R* Overall width	900 mm	1270 mm
S* Radius at outer edge	1788 mm	2356 mm
T* Ground clearance	190 mm	207 mm
U Turn angle	± 54 °	± 54 °
W* Track width	710 mm	930 mm
Z Maximum turning radius (depending on bucket width)	2230 mm	2681 mm

\* These dimensions may change subject to variations in wheel rim sizes and tyre diameters and widths.

#### OPERATIONAL DATA

	WL16	WL16 BeeKeeper
Operating weight	1550 kg	1630 kg
Max. axle load per axle	1500 kg	1500 kg
Tipping load with bucket (straight/articulated)	776 kg / 468 kg	-
Tipping load with pallet fork (straight/articulated)	496 kg / 275 kg	692 kg / 514 kg
Engine make, type and model	Perkins 403 D-11 liquid cooled 3-cylinder diesel	
Displacement	1131 cm <sup>3</sup>	1131 cm <sup>3</sup>
Operating speed	2800 rpm	2800 rpm
Rated power at operating speed	18.5 kW	18.5 kW
Working voltage	12 V	12 V
Battery	77 Ah	77 Ah
Steering type	Fully hydraulic articulated swivel	
Driving speed	Up to 15 kph	Up to 15 kph
Fuel tank capacity	21 l	21 l
Hydraulic oil capacity	18 l	20 l
Driving hydraulics flow rate / working pressure	78.4 l/min / 305 bar	72 l/min / 330 bar
Working hydraulics flow rate / working pressure	30.8 l/min / 205 bar	30.8 l/min / 225 bar
Max. lifting force	1981 daN	2170 daN
Tipping load with bucket (to ISO 8313) Machine straight / articulated	664 kg / 490 kg	1240 kg / 997 kg
Tipping load with pallet forks (to ISO 8313) Machine straight / articulated	532 kg / 391 kg	903 kg / 719 kg
Drive type	Hydrostatic 4WD	Hydrostatic 4WD
Sound pressure level (LpA as per ISO6394)	85 dB (A)	85 dB (A)