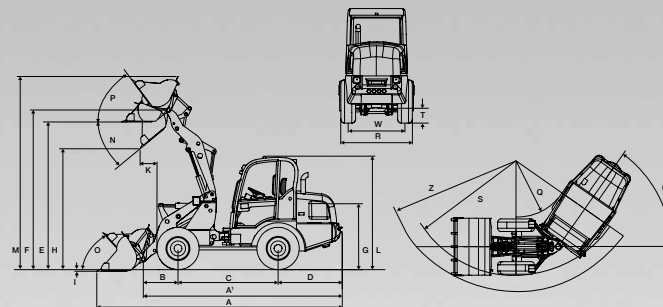


Mid-range muscle

High performance, reliability, ease of operation, toughness and good stability – these are the highlights of the WL34. Two lifting cylinders and the powerful tipping cylinder generate significant lifting and crowding forces. The load arms are extremely rugged and torsion-resistant, and the polished kinematics guarantee good parallel alignment. Automatic return of tools to their working position is a standard feature of the WL34. The comfortable cab is easy to enter from both sides and offers an excellent all-around view through tinted, deeply extended windows.



TECHNICAL DATA

WL34

A	Overall length with standard bucket	5297 mm
A'	Overall length without bucket	4487 mm
B	Axle centre to bucket pivot point	876 mm
C	Wheel base	2120 mm
D	Rear overhang	1296 mm
E*	Overhead loading height	3950 mm
F*	Max. height of bucket pivot point	4277 mm
G*	Height of seat	1248 mm
H*	Max. dumping height	3465 mm
I*	Scraping depth	138 mm
K*	Reach at H	850 mm
L*	Height to driver's canopy	2133 mm
M*	Total working height	4954 mm
N	Max. dumping angle at max. lift height	32 °
O	Reverse roll angle on ground	39 °
P	Reverse roll angle at max. lift height	45 °
Q*	Inside turning radius	1881 mm
R*	Overall width	1415 mm
S*	Radius at outer edge	3325 mm
T*	Ground clearance	294 mm
U	Turn angle	± 45 °
W*	Track width	1125 mm
Z	Maximum turning radius (depending on bucket width)	3795 mm

* These dimensions may change subject to variations in wheel rim sizes and tyre diameters and widths.

OPERATIONAL DATA

WL34

Operating weight	3360 kg
Max. axle load per axle	3000 kg
Tipping load with bucket (straight/articulated)	2413 kg / 1975 kg
Tipping load with pallet fork (straight/articulated)	2159 kg / 1776 kg
Engine make, type and model	Deutz T 2011 L04w liquid cooled 4-cylinder turbo diesel
Displacement	3619 cm ³
Operating speed	2300 rpm
Rated power at operating speed	55.1 kW
Working voltage	12 V
Battery	95 Ah
Steering type	Fully hydraulic articulated swivel
Driving speed	Up to 20 kph
Fuel tank capacity	55 l
Hydraulic oil capacity	65 l
Driving hydraulics flow rate / working pressure	129 l/min / 445 bar
Working hydraulics flow rate / working pressure	103.5 l/min / 210 bar
Max. lifting force	5954 daN
Tipping load with bucket (to ISO 8313) Machine straight / articulated	2585 kg / 2118 kg
Tipping load with bucket (to ISO 8313) Machine straight / articulated	2110 kg / 1774 kg
Drive type	Hydrostatic 4WD
Sound pressure level (LpA as per ISO6394)	78 dB (A)