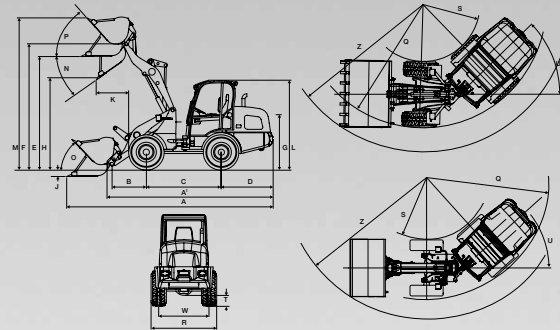
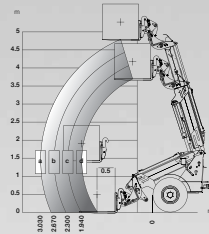


# WL57 WL57T

## The ideal combination: Lift and Power

With its great loading height, and high-performance 74.5 kW Perkins engine, Wacker Neuson's WL57 articulated wheel loader can load up virtually any truck efficiently and over long periods. Z kinematics creates enormous lifting and crowding forces, while hydrostatic four-wheel drive and articulated steering make the WL57 agile and maneuverable. The tilting driver's cab provides optimum service access, and the hydraulic quick-hitch system suits a large number of attachments. A teleboom variant is also available for high reach applications.



### TECHNICAL DATA

	WL57	WL57T
A Overall length with standard bucket	5947 mm	6255 mm
A' Overall length without bucket	4784 mm	5200 mm
B Axle centre to bucket pivot point	990 mm	1245 mm
C Wheel base	2150 mm	2190 mm
D Rear overhang	1499 mm	1520 mm
E* Overhead loading height	3276 mm	4722 mm
F* Max. height of bucket pivot point	3640 mm	5050 mm
G* Height of seat	1567 mm	1571 mm
H* Max. dumping height	2662 mm	4055 mm
I* Scraping depth	150 mm	57 mm
K* Reach at H	934 mm	955 mm
L* Height to driver's cab	2620 mm	2610 mm
M* Total working height	4387 mm	5904 mm
N Max. dumping angle at max. lift height	35 °	33 °
O Reverse roll angle on ground	45 °	41 °
P Reverse roll angle at max. lift height	49 °	45 °
Q* Inside turning radius	1688 mm	1954 mm
R* Overall width	1750 mm	1757 mm
S* Radius at outer edge	3527 mm	3824 mm
T* Ground clearance	315 mm	321 mm
U Turn angle	± 44 °	± 42 °
W* Track width	1420 mm	1422 mm
Z Maximum turning radius (depending on bucket width)	4146 mm	4440 mm

\* These dimensions may change subject to variations in wheel rim sizes and tyre diameters and widths.

### OPERATIONAL DATA

	WL57	WL57T
Operating weight	5730 kg	5800 kg
Max. axle load per axle	4500 kg	4500 kg
Tipping load with bucket (straight/articulated)	3766 kg / 3159 kg	3571 kg / 3049 kg
Tipping load with pallet fork (straight/articulated)	3207 kg / 2716 kg	3326 kg / 2803 kg
Engine make, type and model	Perkins 1104 D-44T liquid cooled 4-cylinder turbo diesel	
Displacement	4400 cm <sup>3</sup>	4400 cm <sup>3</sup>
Operating speed	2100 rpm	2100 rpm
Rated power at operating speed	74.5 kW	74.5 kW
Working voltage	12 V	12 V
Battery	95 Ah	95 Ah
Steering type	Fully hydraulic articulated swivel	
Driving speed	Up to 20 kph	Up to 20 kph
Fuel tank capacity	90 l	90 l
Hydraulic oil capacity	80 l	80 l
Driving hydraulics flow rate / working pressure	149 l/min / 445 bar	149 l/min / 445 bar
Working hydraulics flow rate / working pressure	99 l/min / 210 bar	99 l/min / 235 bar
Max. lifting force	5954 daN	5954 daN
Tipping load with bucket (to ISO 8313) Machine straight / articulated	3766 kg / 3195 kg	3571 kg / 3049 kg
Tipping load with bucket (to ISO 8313) Machine straight / articulated	3207 kg / 2716 kg	3326 kg / 2803 kg
Drive type	Hydrostatic 4WD	Hydrostatic 4WD
Sound pressure level (LpA as per ISO6394)	78 dB (A)	78 dB (A)